



### Compressor Selection: Open-Type Reciprocating Compressors

#### Input Values

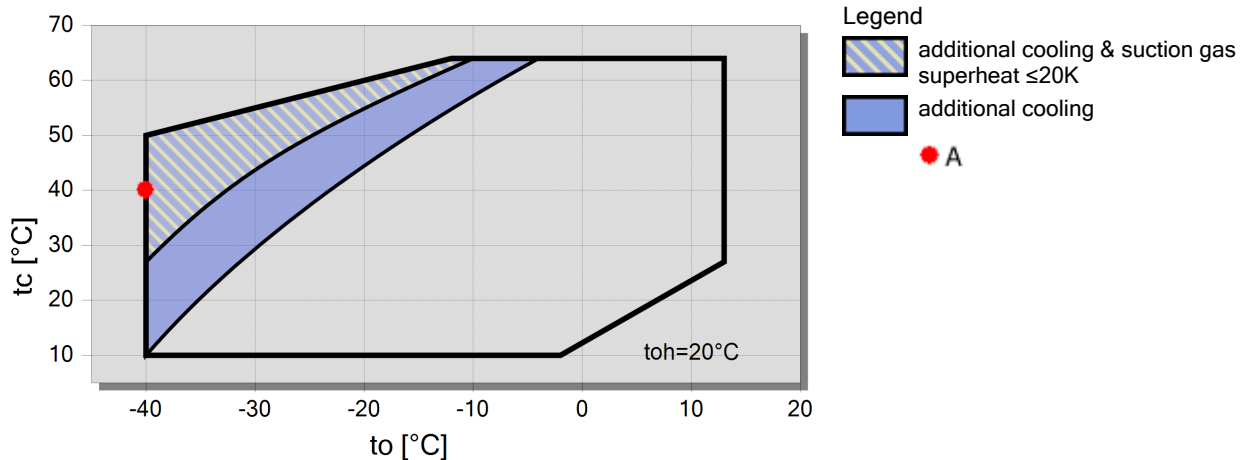
Compressor model	4P.2-K	Useful superheat	100%
Reference temperature	Dew point temp.	Motor speed	1450 /min
Liq. subc. (in condenser)	0 K	Drive	Coupling (1:1)
Suction gas temperature	20,00 °C	Capacity Control	100%

#### Result

		10°C	0°C	-10°C	-20°C	-30°C	-40°C	-50°C	-60°C
30°C	Q [W]	57785	40620	27681	18076	11106	6200	--	--
	Q* [W]	57785	40620	27681	18076	11106	6200	--	--
	P [kW]	8,04	7,93	7,39	6,51	5,37	4,05	--	--
	Qc [W]	65830	48550	35074	24590	16478	10246	--	--
	COP [-]	7,18	5,12	3,74	2,78	2,07	1,53	--	--
	COP* [-]	7,18	5,12	3,74	2,78	2,07	1,53	--	--
	m [kg/h]	1155	797	536	347	212	117,6	--	--
	n [/min]	1450	1450	1450	1450	1450	1450	--	--
	40°C	Q [W]	51890	36447	24757	16044	9692	5190	--
Q* [W]		51890	36447	24757	16044	9692	5190	--	--
P [kW]		9,97	9,32	8,36	7,12	5,66	4,00	--	--
Qc [W]		61865	45767	33113	23167	15351	9194	--	--
COP [-]		5,20	3,91	2,96	2,25	1,71	1,30	--	--
COP* [-]		5,20	3,91	2,96	2,25	1,71	1,30	--	--
m [kg/h]		1118	770	516	331	198,3	105,7	--	--
n [/min]		1450	1450	1450	1450	1450	1450	--	--
50°C		Q [W]	46491	32609	22036	14107	8281	4100	--
	Q* [W]	46491	32609	22036	14107	8281	4100	--	--
	P [kW]	11,94	10,63	9,14	7,47	5,63	3,60	--	--
	Qc [W]	58432	43237	31176	21580	13908	7701	--	--
	COP [-]	3,89	3,07	2,41	1,89	1,47	1,14	--	--
	COP* [-]	3,89	3,07	2,41	1,89	1,47	1,14	--	--
	m [kg/h]	1090	748	498	315	183,6	90,4	--	--
	n [/min]	1450	1450	1450	1450	1450	1450	--	--

-- No calculation possible (see message in single point selection)  
 \*According to EN12900 (20°C suction gas temp., 0K liquid subcooling)

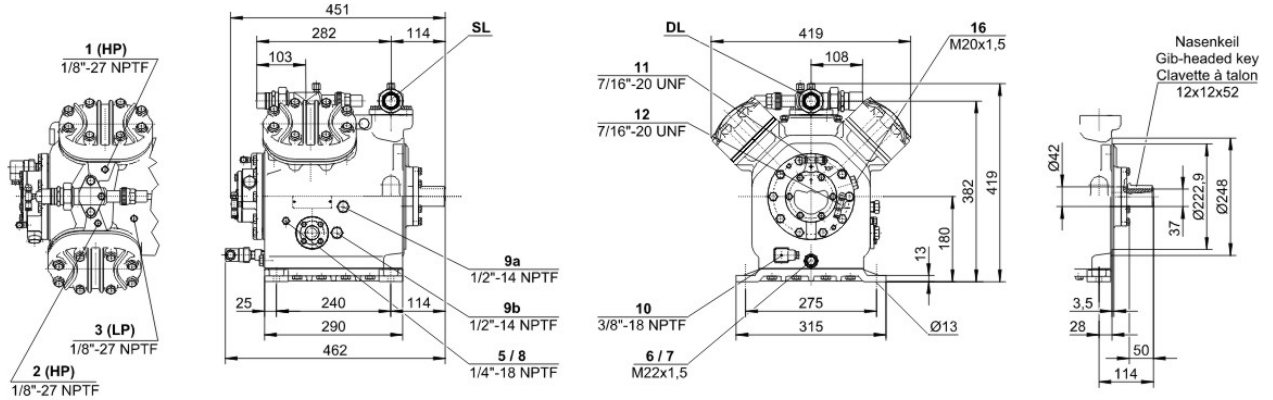
#### Application Limits Standard





## Technical Data: 4P.2-K

### Dimensions and Connections



### Technical Data

#### Technical Data

Displacement (1450 RPM 50Hz)	47,14 m3/h
Displacement (1750 RPM 60Hz)	56,9 m3/h
No. of cylinder x bore x stroke	4 x 55 mm x 57 mm
Allowed speed range	750 .. 1750 1/min
Weight	77 kg
Max. pressure (LP/HP)	19 / 25 bar
Connection suction line	35 mm - 1 3/8"
Connection discharge line	28 mm - 1 1/8"
Oil type R134a/R407C/R404A/R507A/R407A/R407F	tc<55°C: BSE32 / tc>55°C: BSE55 (Option)
Oil type R22 (R12/R502)	B5.2 (Standard)

#### Extent of delivery (Standard)

Oil charge	4,0 dm3
Protective charge	Standard
Suction shut-off valve	Standard
Discharge shut-off valve	Standard

#### Available Options

Coupling (...-K) w. A/C + medium	KK411 [<11kW] / KK420 [<22kW] (Option)
Coupling (...-K) w. low temp.	KK415 [<7.5kW] / KK425 [<22kW] (Option)
Coupling housing	Option
Motor pulley (...-S)	190, 210, 230 mm (Option)
V-belts	3 x SPA (Option)
Discharge gas temperature sensor	Option (incl. INT69VS)
Start unloading	Option
Connection cooling water	R 1/2" (Option)
Capacity control	100-50% (Option)
Additional fan	Option
Water-cooled cylinder heads	Option
Oil service valve	Option
Crankcase heater	100 W (Option)
Oil pressure monitoring	MP54 (Option)
Kit for marine application	Option